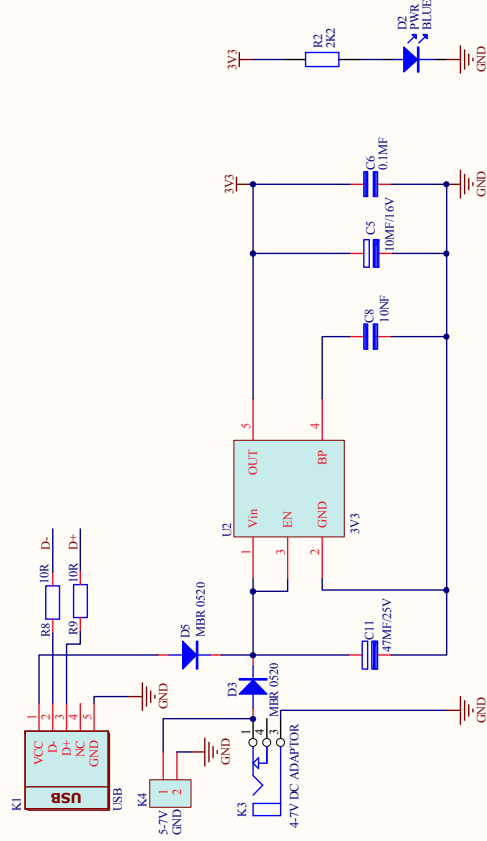
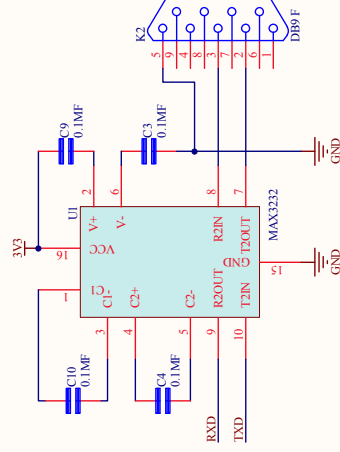
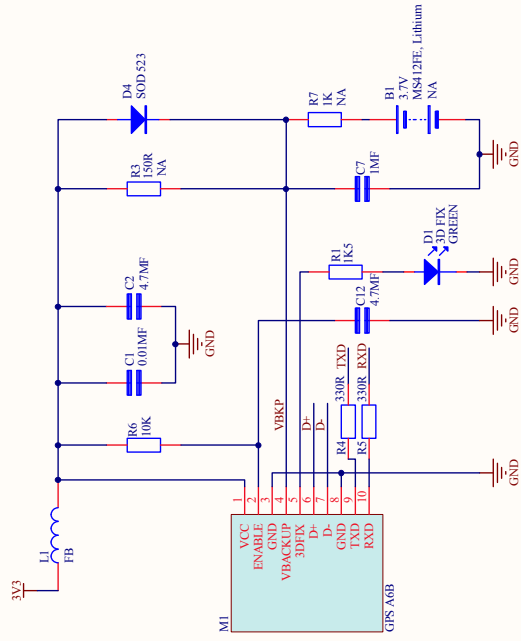




**rhydoLABZ**  
GPS MODULE\_A6B(RS232/USB)  
REV: V1\_01



Title: GPS-A6B(RS232/USB)

Size: B

Number: 02-4-2013

Date: 02-4-2013

File: D:\rhydoLabz\_VSheet1.SchDoc

Revision: V1\_01

Sheet of: 1

Diagram By: .....